

SEWAGE PUMP - Stainless steel SUS304

SSW Series - 60Hz - 2 Pole, Single Phase 110v/115/230

Three Phase 208-230/460/575



Live stock de-watering

Models

Models	Phase	Pole	Models	Phase	Pole
SSW-1052/1052F/3052	1 ϕ / 3 ϕ	2	SSW-333	3 ϕ	2
SSW-112/112F/312	1 ϕ / 3 ϕ	2	SSW-354	3 ϕ	2
SSW-1153/1153F/3153	1 ϕ / 3 ϕ	2	SSW-3754	3 ϕ	2
SSW-123/123F/323	1 ϕ / 3 ϕ	2	SSW-3104	3 ϕ	2
			SSW-3154	3 ϕ	2

Product Description

SSW series has 19 models that offer:

- ◆ submersible pumps with inner cable and cable base filled with EPOXY to raise humidity resistance.
- ◆ double mechanical seal made of silicon carbide
- ◆ all O-rings made of nitrite rubber
- ◆ strict adherence to CE and UL standards
- ◆ material SUS304-SUS316-SUS316L are adopted for high anti-corrosion

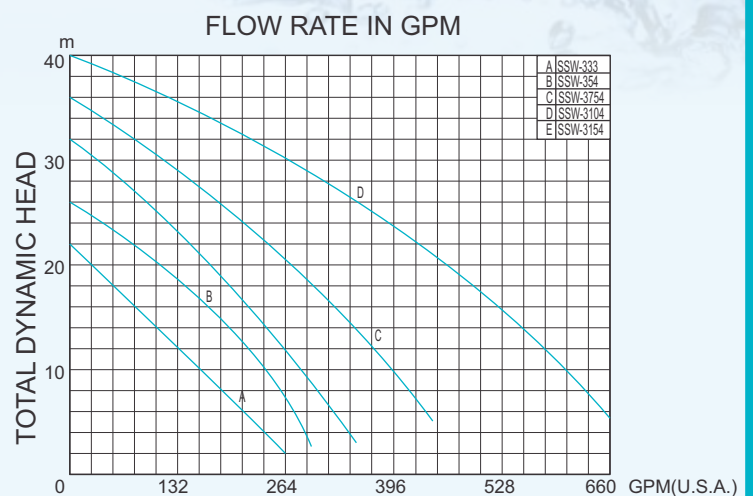
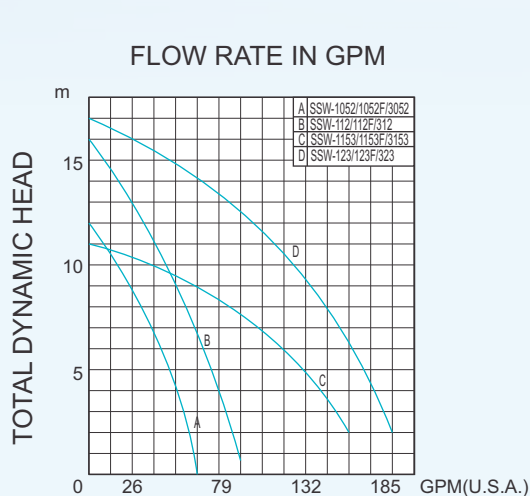
Applications

- Wastewater lift station, municipal wastewater treatment plant.
- Building wastewater treatment system.
- Piggery excrement, animal & poultry farm.
- School, hospital, community wastewater treatment system.
- Food, Paper, mining, textile, leather industry wastewater treatment system.
- Chemical industries, metal industries



De-watering for chemical industries

Performance Curves



* We reserve the right to amend specification without prior notice.

INDRA HYDRO TECH PUMPS PVT. LTD.

316, 1st Floor, 8th Cross, 4th Phase, Peenya Industrial Area, Bengaluru - 560 058, Karnataka, India
 Tel.: +91 80 2836 2916, Fax: +91 80 2836 3048, Email: contact@ihpindia.in, www.ihpindia.in

SEWAGE PUMP - Stainless steel SUS304

SSW Series - 60Hz - 2 Pole, Single Phase 110v/115/230

Three Phase 208-230/460/575



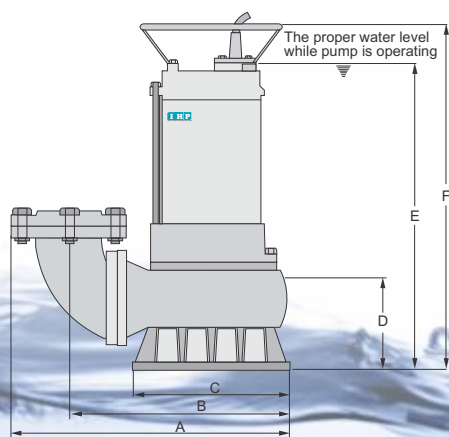
SSW series 2 pole

Specifications

Motor	Type	Submersible, Oil filled (continuous duty)	
	Pole	2-P	
	Insulation Class	H-class (180°C)	
	Frequency	60Hz	
	Protector	Auto-cut (Overheat & Overload)	
	Pole Rotation	2P/3600 RPM	
	Protection class	IP-68	
	Materials	Motor Casing	SUS304-SUS316-SUS316
		Shaft	SUS 403/SUS 410/SUS 420
		Cable	CE/UL standard
Seal		SIC-Seal	
Pump	Outlet-mm	50. 80. 100. (mm)	
	Impeller Type	Semi open, Channel, Vortex Impeller	
	Impeller Material	SUS-304	
	Mechanical Seal	Dual mechanical seal made of silicon carbide	
	Bearing	Heavy duty bearing	
	Maximum Depth	30-Mts	
	Liquid temperature	0~40°C (32° F - 104° F)	
	Volute Casing	SUS-304 / CFS 8	
	Seal Bracket	SUS-304 / CFS 8	
	Upper Cover	SUS-304 / CFS 8	

Dimensions & Weight

Unit : mm



TYPE	A	B	C	D	E	F
SSW-1052/1052F/3052	215	177	156	87	255	340
SSW-112/112F/312	250	210	210	100	310	460
SSW-1153/1153F/3153	320	270	220	120	330	460
SSW-123/323	320	270	220	140	420	520
SSW-333	420	330	250	160	440	540
SSW-354	420	330	250	160	460	585
SSW-3754	550	450	300	230	540	670
SSW-3104	550	450	300	210	570	690
SSW-3154	550	450	310	250	600	730

Hydraulic Data

Model	Output Hp(kW)	Outlet in inches	Voltage Range	Phase	Standards		Max Diameter mm	Height mm	Weight kg	Cable Meter	Solid Passage (mm)
					Head m	GPM (U.S.A.)					
SSW-1052/1052F/3052	1/2(0.37)	2"	110/220/230	1 ϕ / 3 ϕ	8	26	230	340	14	10	10
SSW-112/112F/312	1(0.75)	2"	115/230	1 ϕ / 3 ϕ	9	52	260	460	21	10	10
SSW-1153/1153F/3153	1.5 (1.10)	2"	115/230	1 ϕ / 3 ϕ	7	104	320	460	22	10	15
SSW-123/323	2(1.50)	3"	115/230	1 ϕ / 3 ϕ	8	132	320	520	35/31	10	20
SSW-333	3(2.2)	3"	208/230/460/575	3 ϕ	11	158	435	540	50	10	30
SSW-354	5(3.7)	4"	208/230/460/575	3 ϕ	15	158	435	585	53	10	35
SSW-3754	7½(5.5)	4"	230/460/575	3 ϕ	12	264	565	670	80	10	35
SSW-3104	10(7.5)	4"	460/575	3 ϕ	14	370	580	690	100	10	40
SSW-3154	15(11)	4"	460/575	3 ϕ	25	264	600	730	105	10	50



water, sewage and sludge technology
pumps for life ...

An ISO 9001:2008 certified company by 



INDRA HYDRO TECH PUMPS PVT. LTD.

316, 1st Floor, 8th Cross, 4th Phase
Peenya Industrial Area
Bengaluru - 560 058
Karnataka, India
Tel.: +91 80 2836 2916
Fax: +91 80 2836 3048
Email: contact@ihpindia.in



www.ihpindia.in